



# TV SYSTEM SETUP

APPLIES TO C580U, C580R, & E880

# **TV SYSTEM SETUP PROGRAMMING**

C580U. C580R. E880

TV system setup programming is explained below. Please note that programming for analog and digital TV reception differs.

## **CATV (Analog) System Setup**

The CATV system setup is usually programmed into the product at the factory. If the CATV system of the product was not set at the factory, it may be necessary to activate the CATV system on the product. Hold the Channel Up key. Then press the Full/Split screen key. The display will show the product CATV system setting. To change the setting, press the Channel Up key or Channel Down key. Turn off the treadmill power after the name of your preferred system appears.

## **Automatic Channel Scan (Analog)**

After connecting cables and providing TV signal, perform an automatic channel scan to locate channels as follows: 1. Turn the product on. 2. Press the Source key to enter the TV mode. 3. Simultaneously, press Volume Down and Channel Up. The automatic channel scan function begins. The numbers that appear represent TV channels. Once the scan program ends, you can select channels in TV mode by pressing channel up or down keys.

## **Display Brightness Adjustment (Analog)**

To adjust brightness, simultaneously press the Full/Split Screen key and the Volume Up key. "B" appears. Press Volume Up or Volume Down keys to adjust brightness.

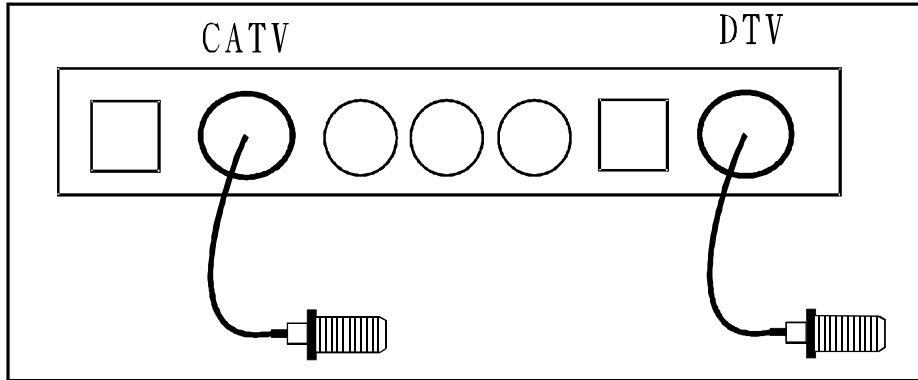
## **Display Contrast Adjustment (Analog)**

To adjust contrast, simultaneously press the Full/Split Screen key and the Volume Down key. "C" appears. Press Volume Up or Volume Down keys to adjust contrast.

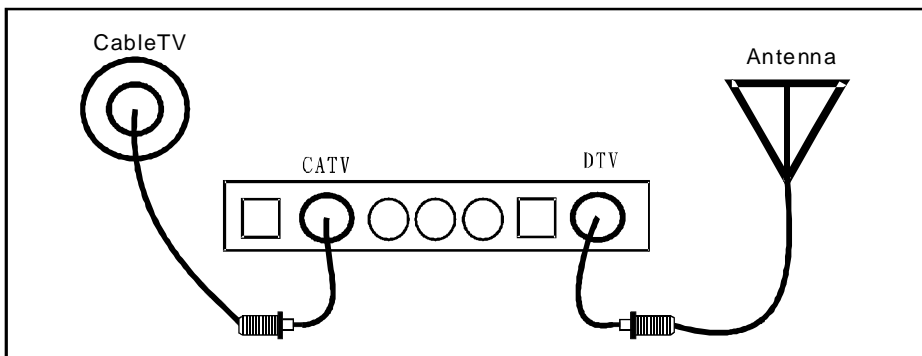
## Cable Connection Configurations

The following illustrations show various cable configurations that will work with this product.

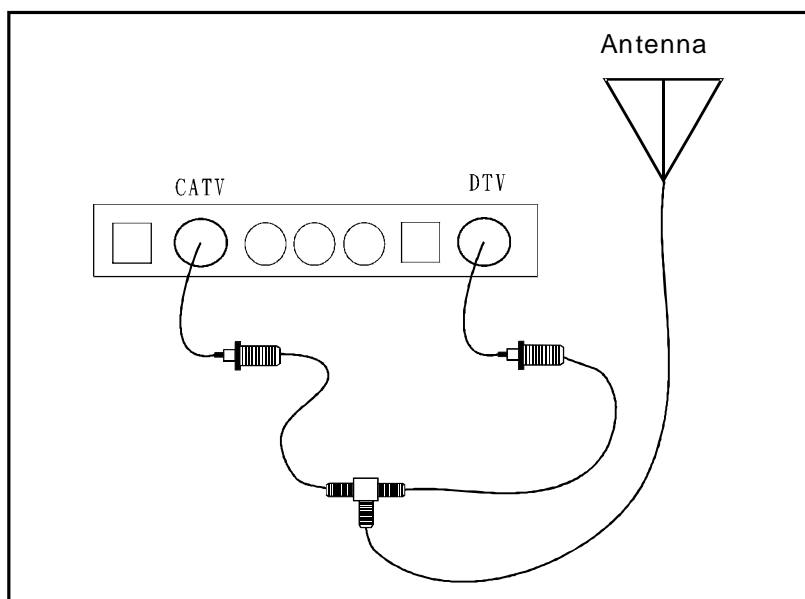
### 1. Analog and digital TV signal connections



### 2. Analog cable CATV and digital over-the-air signals with antenna

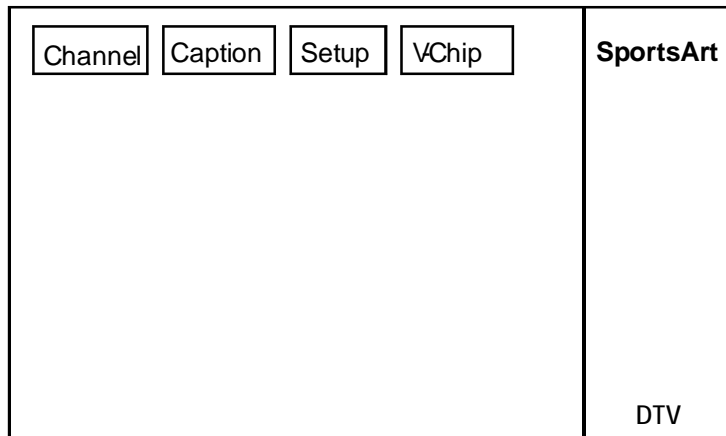


### 3. Analog and digital TV reception via a common external antenna and 2-way splitter or "T connector"



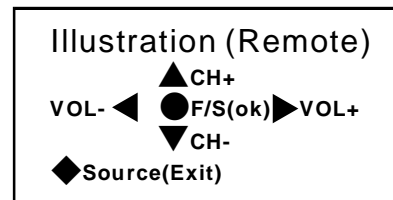
## **DTV (ATSC-USA) System Setup (Digital)**

In DTV mode, press CH+ and VOL+ to access the ATSC digital TV menu.



In menu mode, keys have the following functions:

- CH+ becomes scroll up. (UP)
- CH- becomes scroll down. (DOWN)
- VOL+ becomes scroll right. (RIGHT)
- VOL- becomes scroll left. (LEFT)
- Full/Split becomes a confirmation (OK) key. Press to confirm your selection.
- Source becomes an exit key. Press to exit (EXIT) to the main menu.



ATSC menu includes the following:

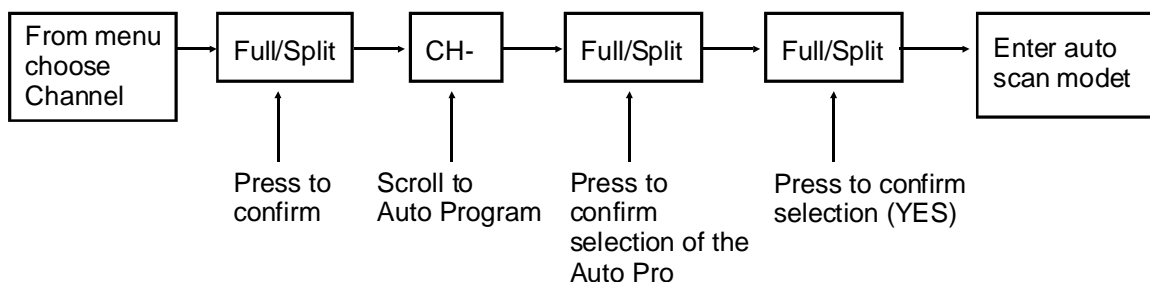
a. Channel

- (1). Signal Quality: Channel signal quality.
- (2). Auto Program: Automatic channel scan (recommended).
- (3). Manual program scan.

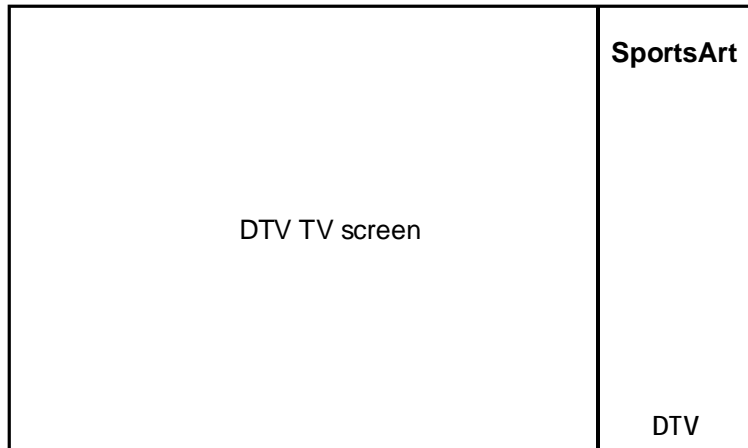
## **DTV Automatic Channel Scan**

Press CH+ and VOL+ to enter the menu. Select ATSC. Press Full/Split (OK) to confirm your choice.

Press CH- (DOWN) to select ATSC Auto Program. Press Full/Split (OK) to confirm your choice. Press Full/Split (OK) again to select YES. Channel scan begins. The channel scan process can take a few minutes. Please wait for process to be completed. When completed, the main menu (what appears at start up) appears.

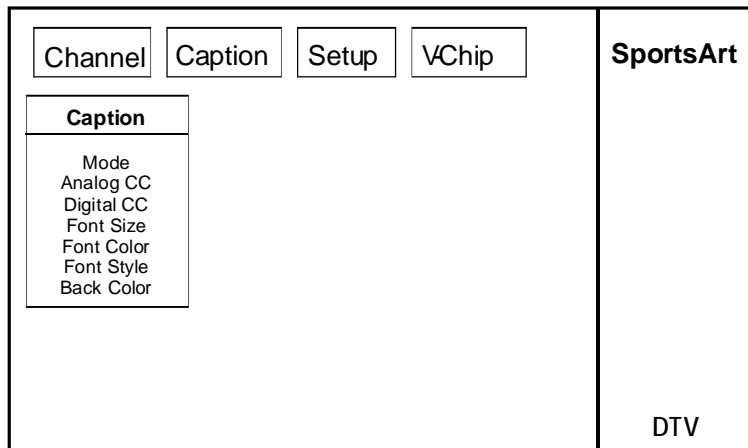






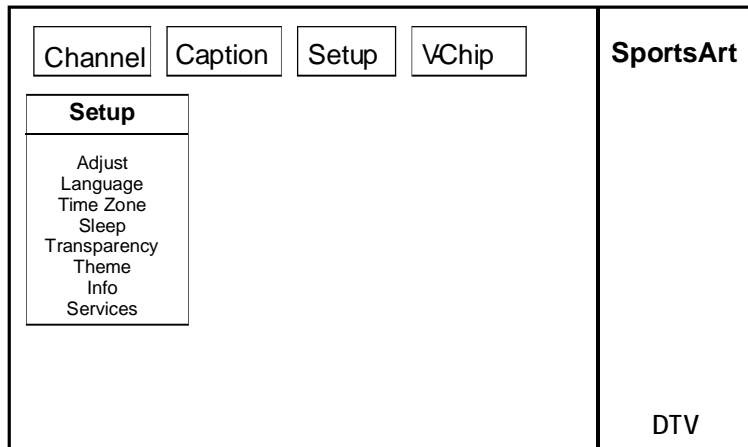
b. Closed caption for the hearing impaired includes the following functions:

- (1) Mode on/off and on Mute characters
- (2) Analog CC: Analog TV Closed Caption ( This function does not operate on ATSC DTV. )
- (3) Digital CC: Digital TV Closed Caption
- (4) Font size selection
- (5) Font color selection
- (6) Font style selection
- (7) Background color selection

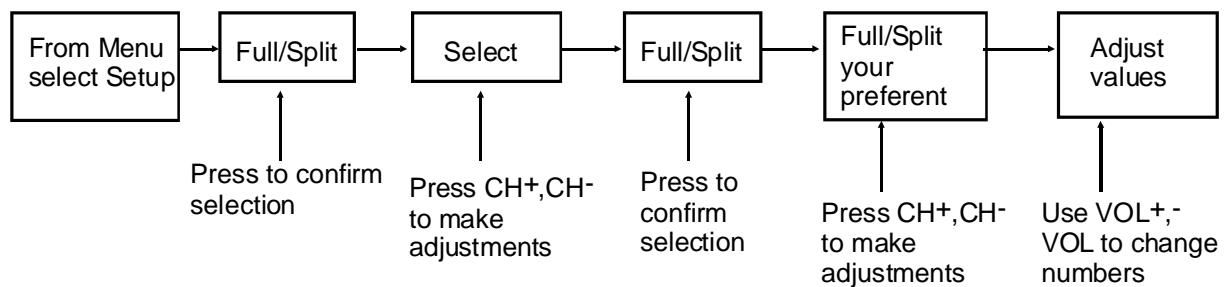
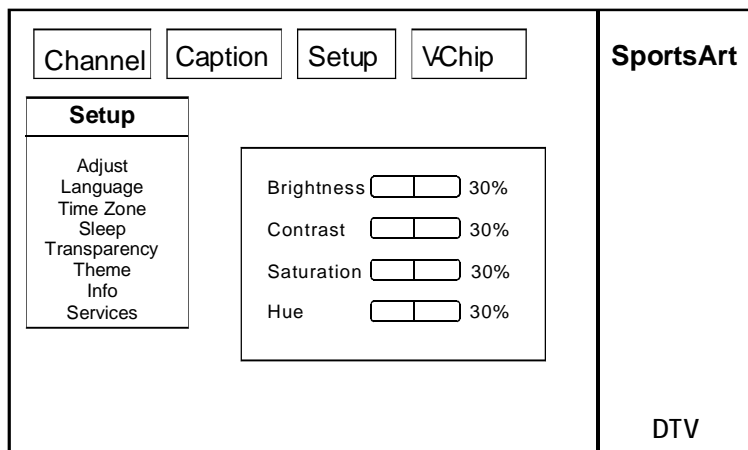


Setup options include the following:

- (1) Adjust: brightness, contrast, saturation, color
- (2) Language: Choose between English, Spanish, French
- (3) Time Zone: Select time
- (4) Sleep: Set "power-off" time
- (5) Transparency: Menu transparency
- (6) Theme: Replace Menu color ( blue and pink )
- (7) Info ATSC: firmware version
- (8) Services: Factory mode ( test screen, sound, version )



★ATSC DTV brightness, contrast, saturation, color adjustment:  
 From menu select Setup. Then select Setup Adjust to adjust  
 Brightness, Contrast, Saturation, Hue ( Use CH+, CH- to select  
 various options; Use VOL+, VOL- to adjust numerical values. )



c. V-Chip: This function requires a license. The user must pay and apply for a V-Chip royalty number.

Channel	Caption	Setup	VChip	<b>SportsArt</b>
<b>Enter Password :</b> <input type="text"/> <input type="text"/> <input type="text"/> <input type="text"/>				DTV

d. Special notes

In menu mode, if no activity is selected within 15 seconds, the display returns to the main, start up screen menu. Press the Source (EXIT) key to ensure menu mode was exited and that key functions for CH+, CH-, VOL+, VOL-, etc., return to their original settings.